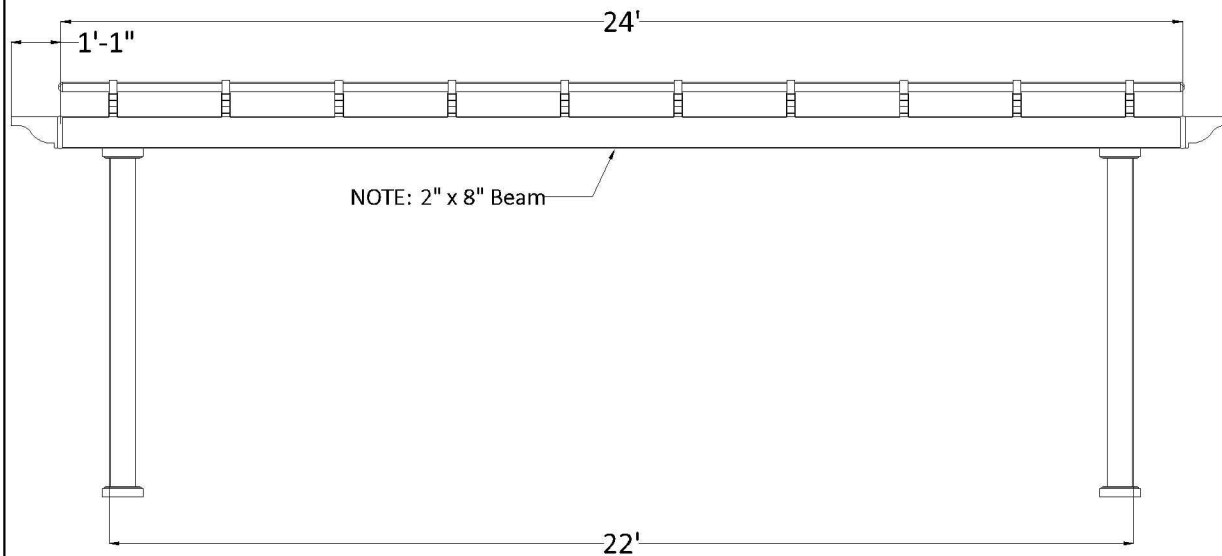


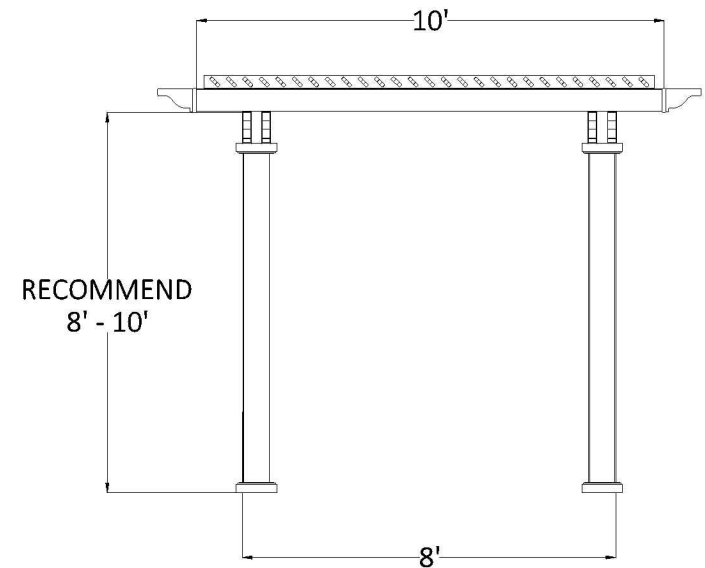
FRONT ELEVATION



Post on Center Measurement

5" Square Post	259"
7" Square Column	253 1/2"
7" Round Column	253 1/2"
10" Round Column	251 3/4"

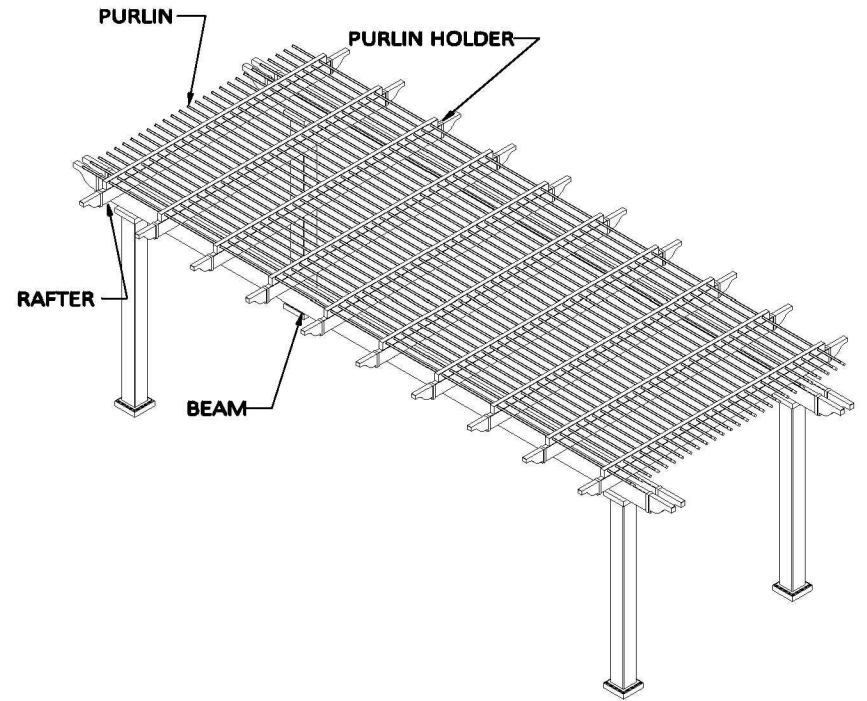
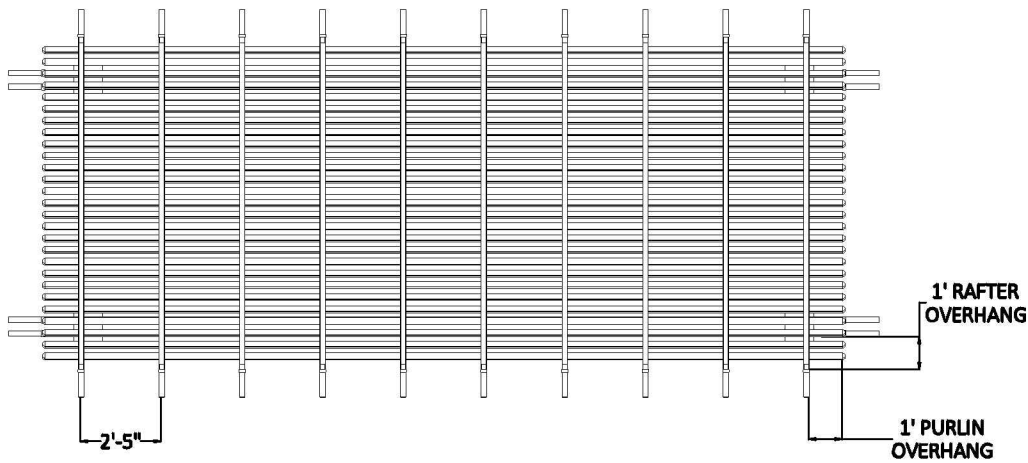
SIDE ELEVATION



Center of Post to Structure Measurement

5" Square Post	91"
7" Square Column	85 1/2"
7" Round Column	85 1/2"
10" Round Column	83 3/4"

PLAN VIEW



STRUCTURAL COMPONENTS

DESCRIPTION	QTY.
7" COLUMN ASSEMBLY W POST MOUNT	4
2 X 8 BEAM WITH ALUMINUM INSERT	4
2 X 6 RAFTER WITH ALUMINUM INSERT	10
PERGOLA CAP	28
2 X 3 1/2" PURLIN HOLDER	10
2 X 3 1/2" FLAT CAP	20
7/8" X 3" PURLIN (STD SPACING)	27
7/8" X 3" PURLIN CAP	54