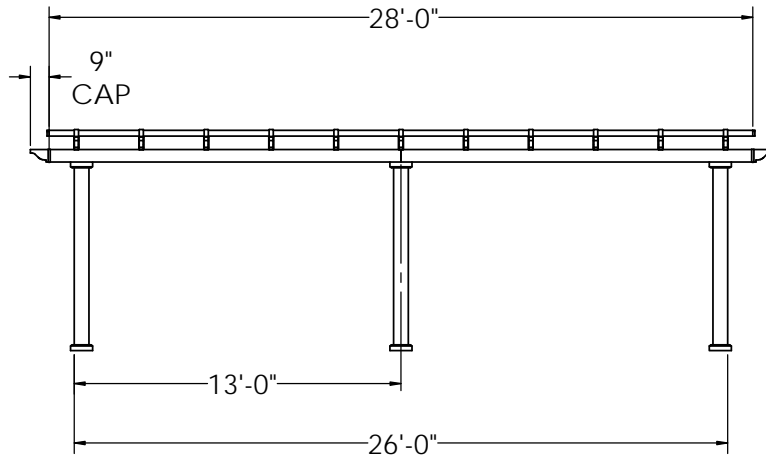


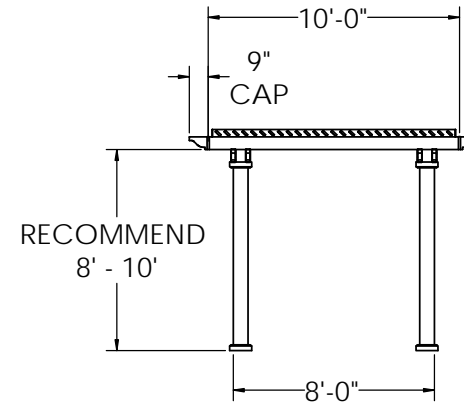
FRONT ELEVATION



Post on Center Measurement

5" Square Post	307"
7" Square Column	301 1/2"
7" Round Column	301 1/2"
10" Round Column	299 3/4"

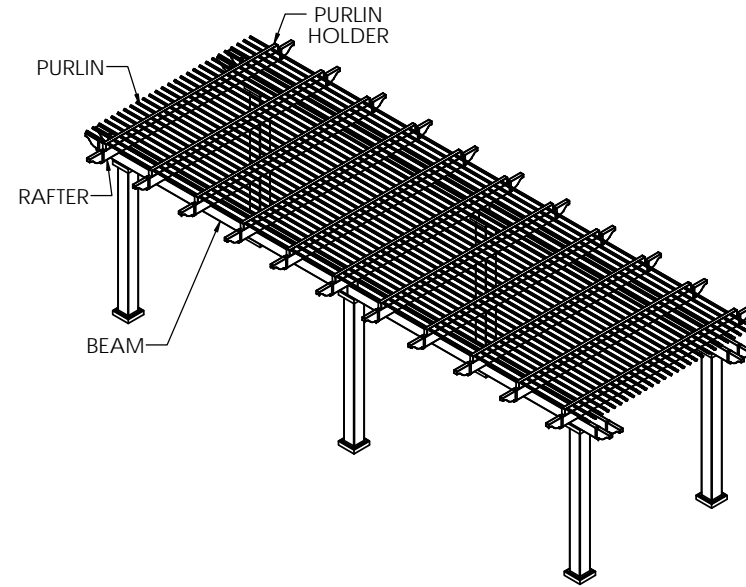
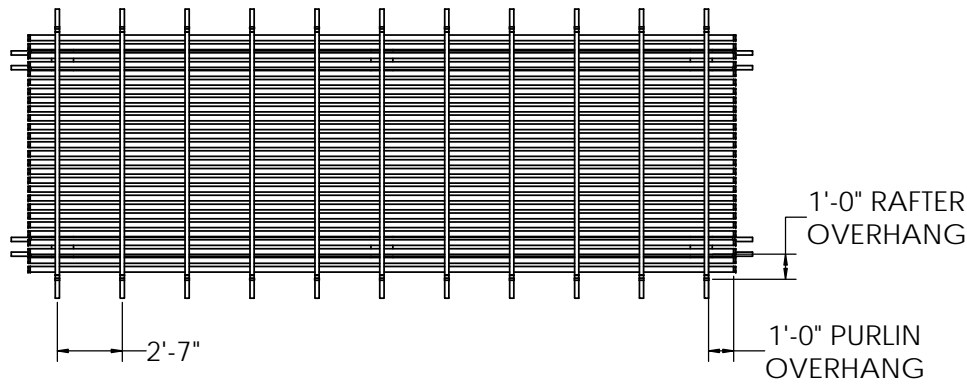
SIDE ELEVATION



Center of Post to Structure Measurement

5" Square Post	91"
7" Square Column	85 1/2"
7" Round Column	85 1/2"
10" Round Column	83 3/4"

PLAN VIEW



STRUCTURAL COMPONENTS

DESCRIPTION	QTY.
7" COLUMN ASSY WITH POST MOUNT	6
2 x 6 BEAM WITH ALUMINUM INSERT	8
2 x 6 RAFTER WITH ALUMINUM INSERT	11
2 x 6 PERGOLA CAP	30
2 x 3 1/2 PURLIN HOLDER	11
2 x 3 1/2 FLAT CAP	22
7/8 x 3 PURLIN (STD SPACING)	27
7/8 x 3 PURLIN CAP (STD SPACING)	54