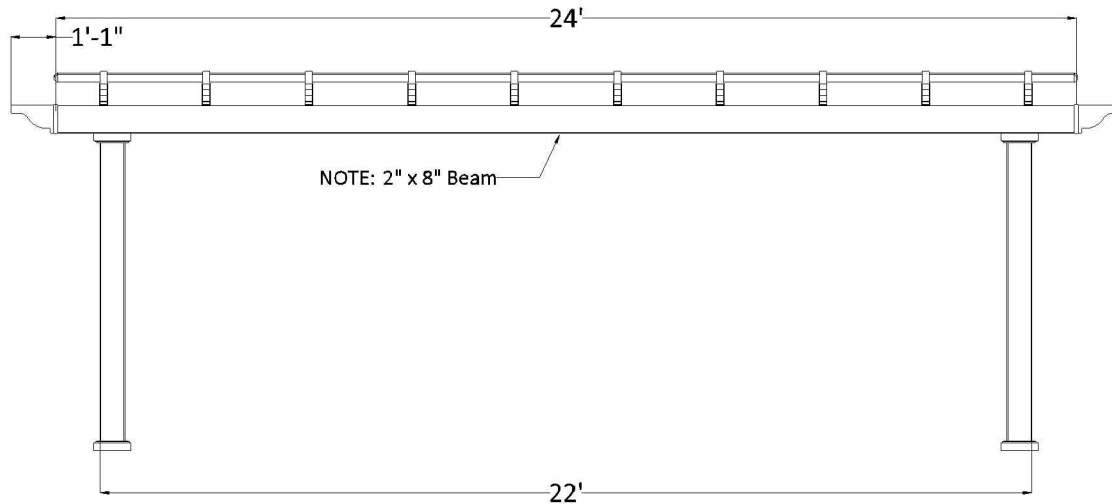


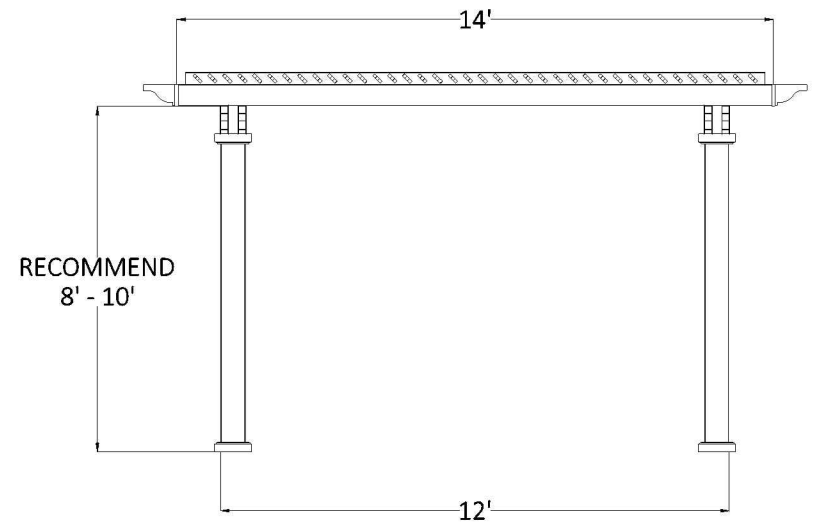
# FRONT ELEVATION



## Post on Center Measurement

5" Square Post	259"
7" Square Column	253 1/2"
7" Round Column	253 1/2"
10" Round Column	251 3/4"

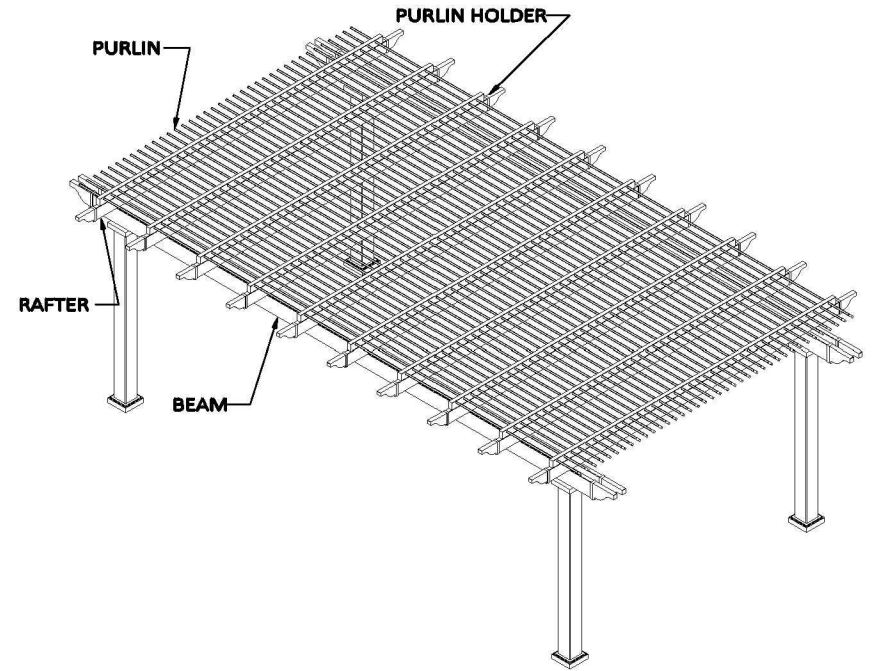
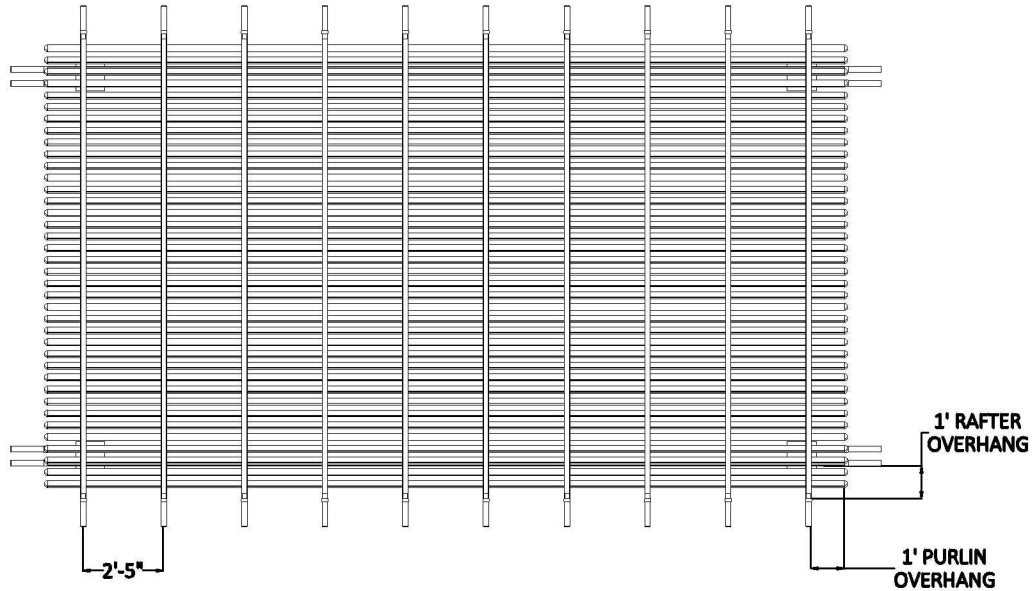
# SIDE ELEVATION



## Center of Post to Structure Measurement

5" Square Post	139"
7" Square Column	133 1/2"
7" Round Column	133 1/2"
10" Round Column	131 3/4"

# PLAN VIEW



## STRUCTURAL COMPONENTS

DESCRIPTION	QTY.
7" COLUMN ASSEMBLY W POST MOUNT	4
2 X 8 BEAM WITH ALUMINUM INSERT	4
2 X 6 RAFTER WITH ALUMINUM INSERT	10
PERGOLA CAP	28
2 X 3 1/2" PURLIN HOLDER	10
2 X 3 1/2" FLAT CAP	20
7/8" X 3" PURLIN (STD SPACING)	38
7/8" X 3" PURLIN CAP	76

14' x 24' FREESTANDING PERGOLA

Heartlandpergolas.com

563-345-6745

**Heartland**  
Pergolas