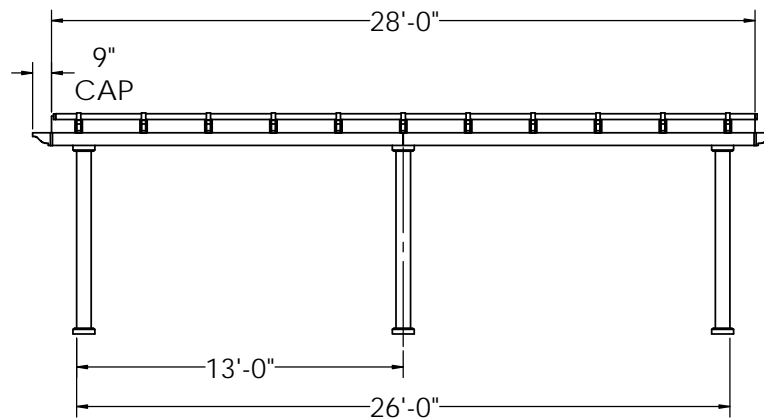


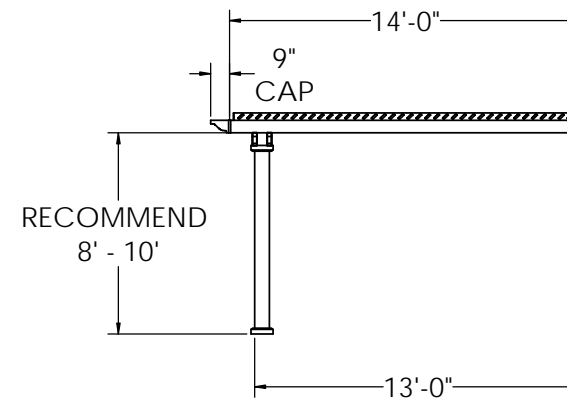
FRONT ELEVATION



Post on Center Measurement

| | |
|------------------|----------|
| 5" Square Post | 307" |
| 7" Square Column | 301 1/2" |
| 7" Round Column | 301 1/2" |
| 10" Round Column | 299 3/4" |

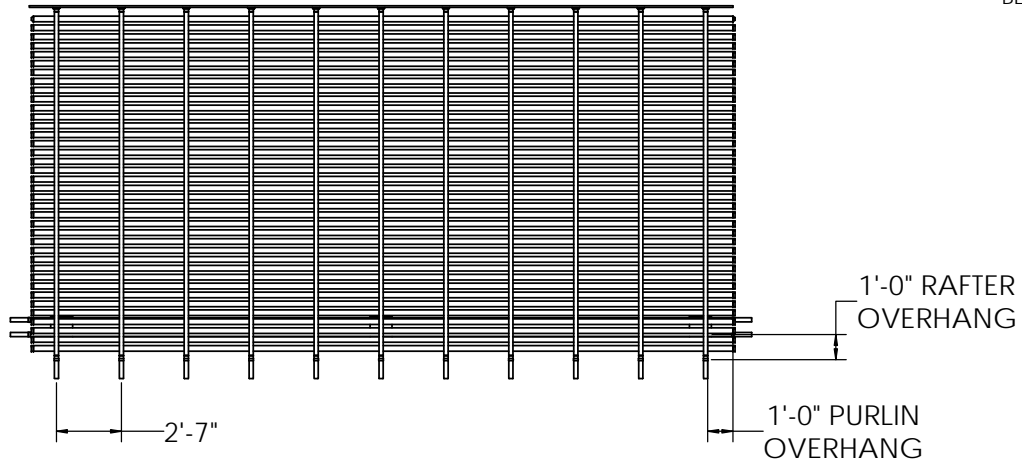
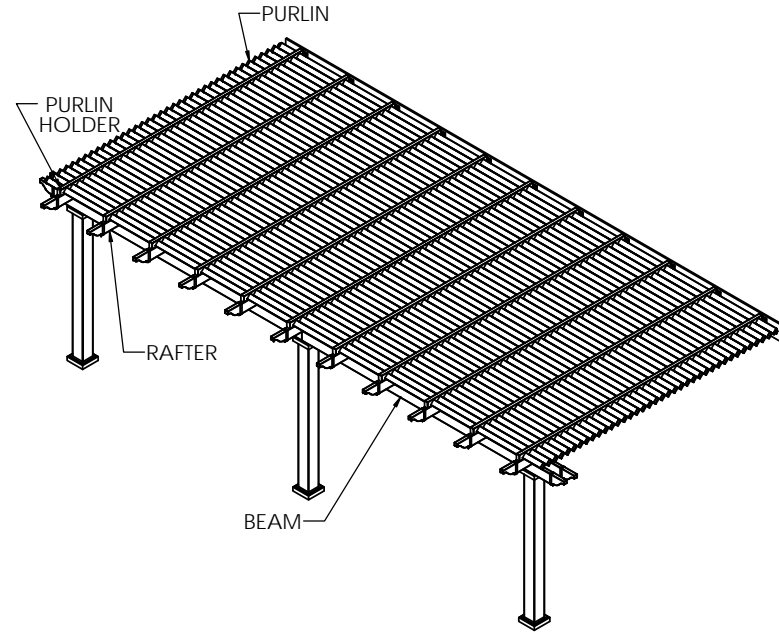
SIDE ELEVATION



Center of Post to Structure Measurement

| | |
|------------------|----------|
| 5" Square Post | 153 1/2" |
| 7" Square Column | 150 3/4" |
| 7" Round Column | 150 3/4" |
| 10" Round Column | 149 7/8" |

PLAN VIEW



STRUCTURAL COMPONENTS

| DESCRIPTION | QTY. |
|----------------------------------|------|
| 7" COLUMN ASSY WITH POST MOUNT | 3 |
| 2x6 BEAM WITH ALUMINUM INSERT | 4 |
| 2x6 RAFTER WITH ALUMINUM INSERT | 11 |
| 2 x 6 PERGOLA CAP | 15 |
| RAFTER HANGER WITH COVER | 11 |
| 2 x 3 1/2 PURLIN HOLDER | 11 |
| 2 x 3 1/2 FLAT CAP | 22 |
| 7/8 x 3 PURLIN (STD SPACING) | 38 |
| 7/8 x 3 PURLIN CAP (STD SPACING) | 76 |
| PVC LEDGER PLATE | 1 |

14' x 28' ATTACHED PERGOLA

Heartlandpergolas.com

563-345-6745

