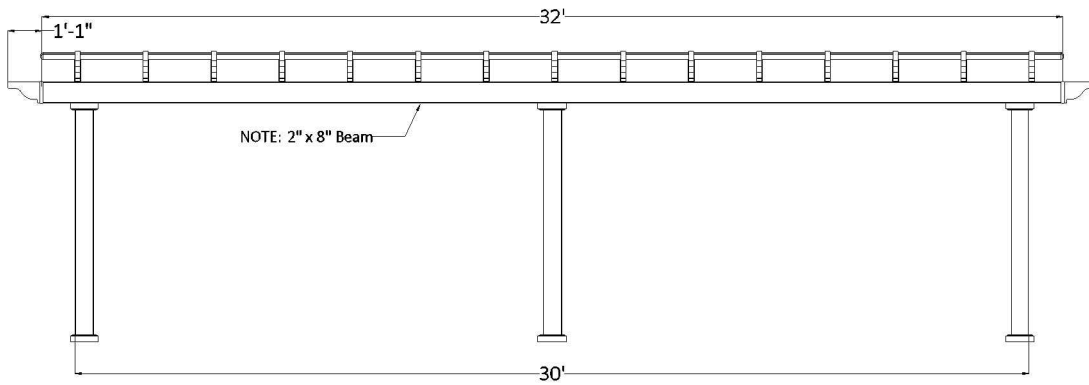


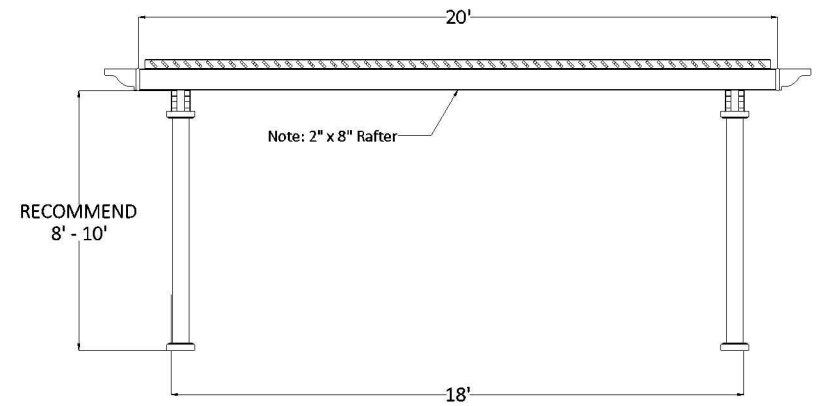
FRONT ELEVATION



Post on Center Measurement

5" Square Post	355"
7" Square Column	349 1/2"
7" Round Column	349 1/2"
10" Round Column	347 3/4"

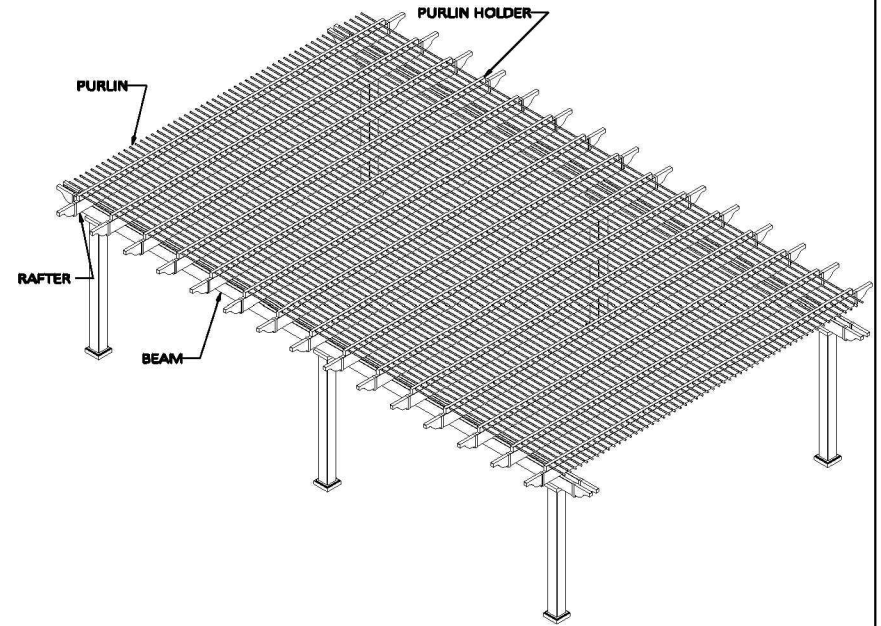
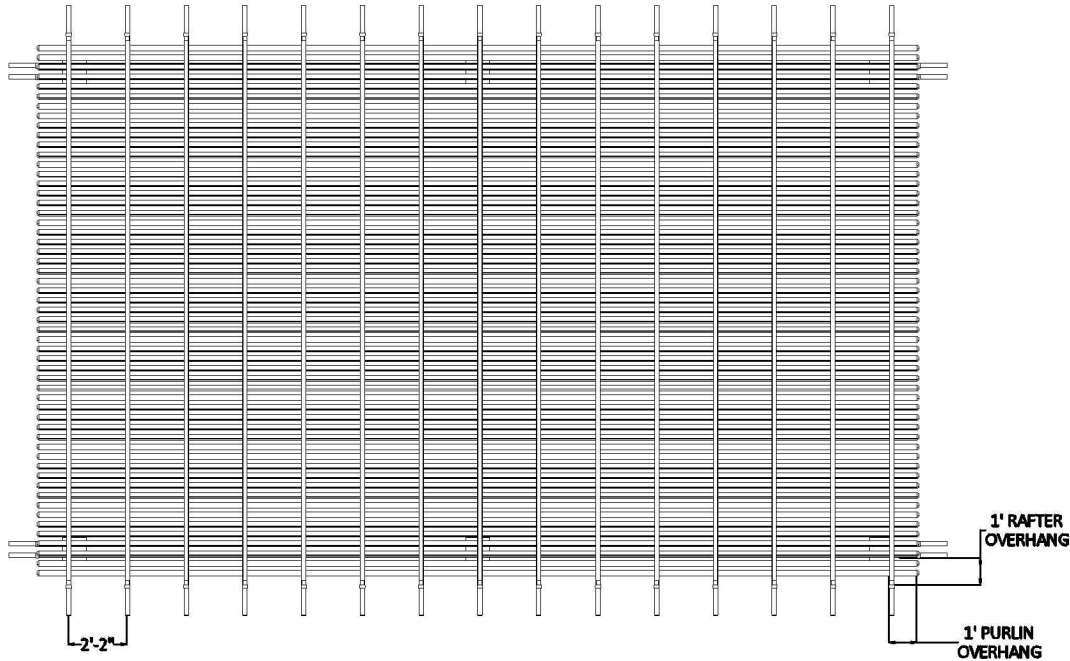
SIDE ELEVATION



Center of Post to Structure Measurement

5" Square Post	211"
7" Square Column	205 1/2"
7" Round Column	205 1/2"
10" Round Column	203 3/4"

PLAN VIEW



STRUCTURAL COMPONENTS

DESCRIPTION	QTY.
7" COLUMN ASSEMBLY W POST MOUNT	6
2 X 8 BEAM WITH ALUMINUM INSERT	8
2 X 8 RAFTER WITH ALUMINUM INSERT	15
2 X 8 PERGOLA CAP	38
2 X 3 1/2 PURLIN HOLDER	15
2 X 3 1/2 FLAT CAP	30
7/8 X 3 PURLIN (STD SPACING)	55
7/8 X 3 PURLIN CAP	110