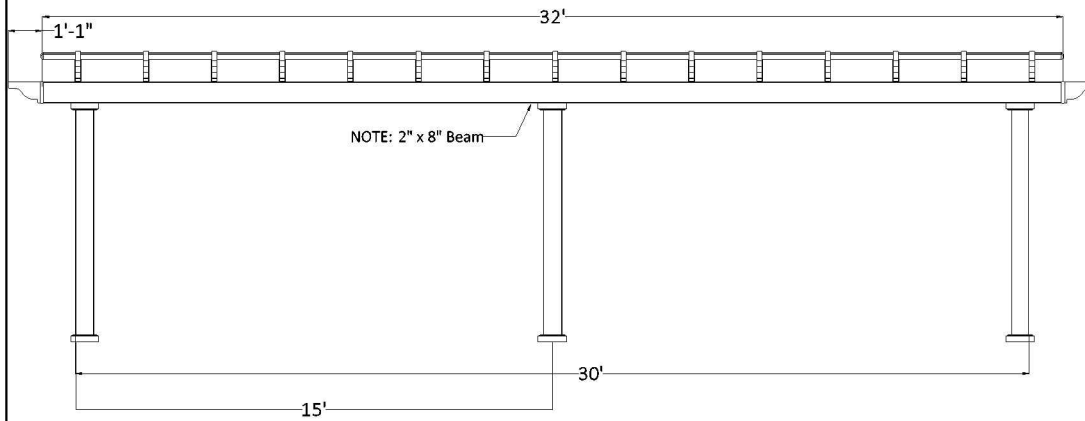


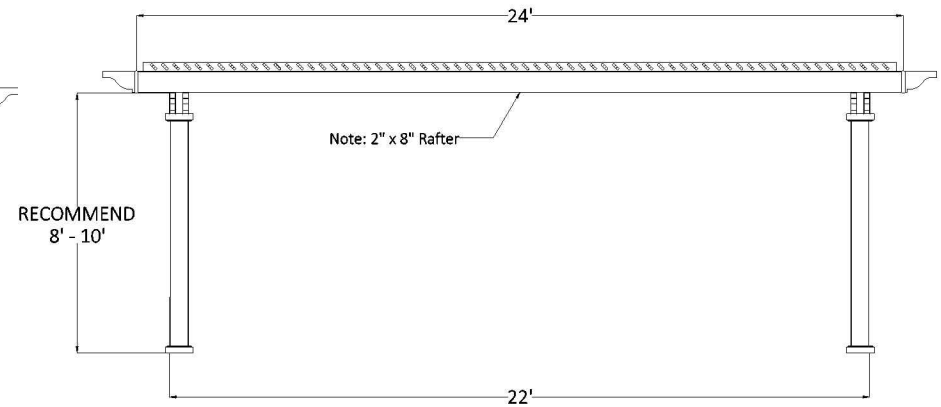
FRONT ELEVATION



Post on Center Measurement

| | |
|------------------|----------|
| 5" Square Post | 355" |
| 7" Square Column | 349 1/2" |
| 7" Round Column | 349 1/2" |
| 10" Round Column | 347 3/4" |

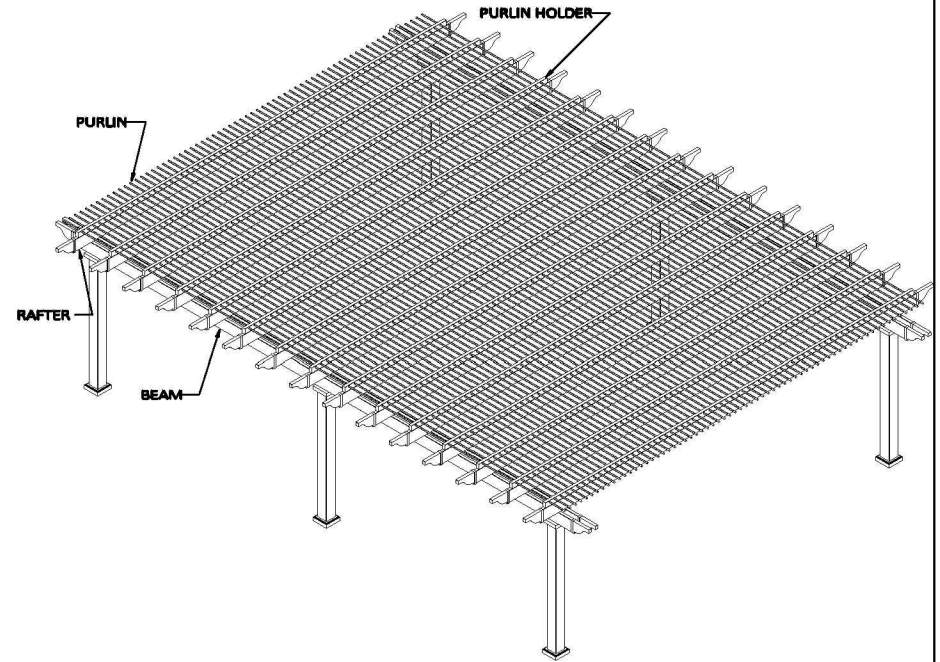
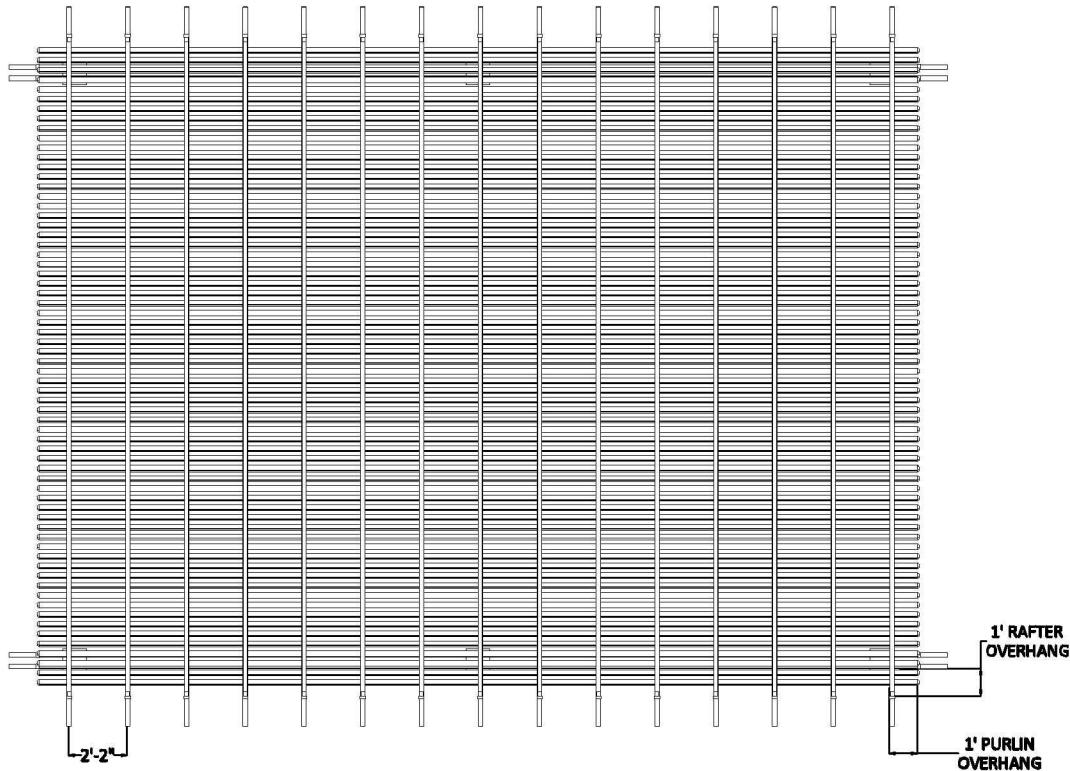
SIDE ELEVATION



Center of Post to Structure Measurement

| | |
|------------------|----------|
| 5" Square Post | 259" |
| 7" Square Column | 253 1/2" |
| 7" Round Column | 253 1/2" |
| 10" Round Column | 251 3/4" |

PLAN VIEW



STRUCTURAL COMPONENTS

| DESCRIPTION | QTY. |
|-----------------------------------|------|
| 7" COLUMN ASSEMBLY W POST MOUNT | 6 |
| 2 X 8 BEAM WITH ALUMINUM INSERT | 8 |
| 2 X 8 RAFTER WITH ALUMINUM INSERT | 15 |
| 2 X 8 PERGOLA CAP | 38 |
| 2 X 3 1/2 PURLIN HOLDER | 15 |
| 2 X 3 1/2 FLAT CAP | 30 |
| 7/8 X 3 PURLIN (STD SPACING) | 66 |
| 7/8 X 3 PURLIN CAP | 132 |

24' x 32' FREESTANDING PERGOLA

Heartlandpergolas.com

563-345-6745

