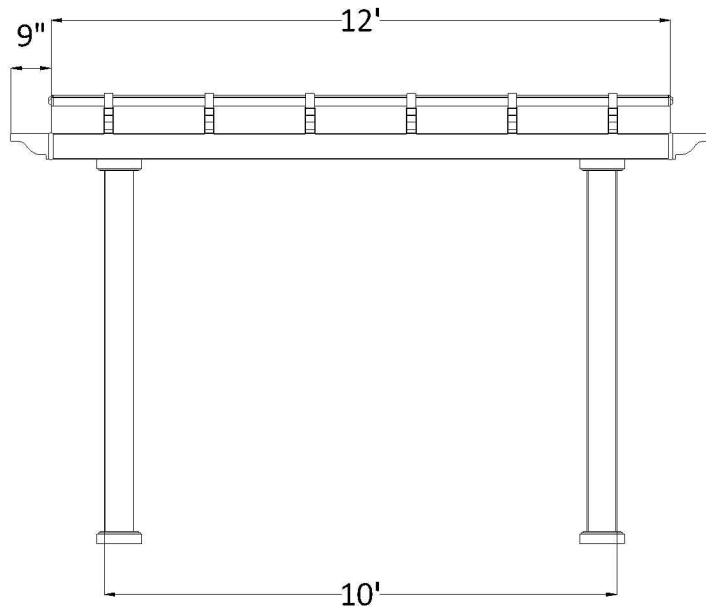


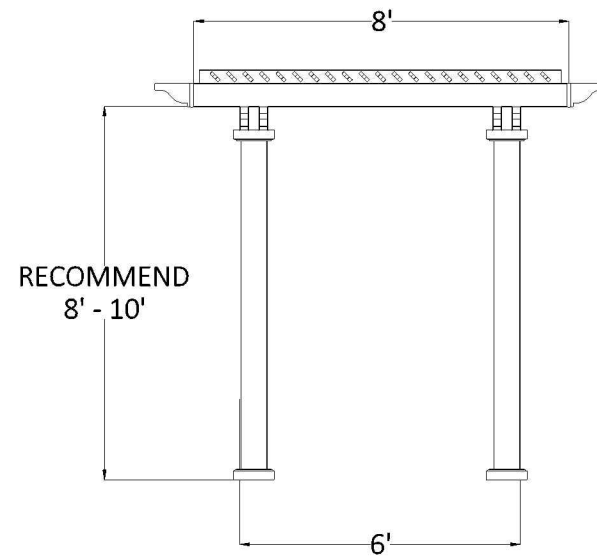
# FRONT ELEVATION



## Post on Center Measurement

|                  |          |
|------------------|----------|
| 5" Square Post   | 115"     |
| 7" Square Column | 109 1/2" |
| 7" Round Column  | 109 1/2" |
| 10" Round Column | 107 3/4" |

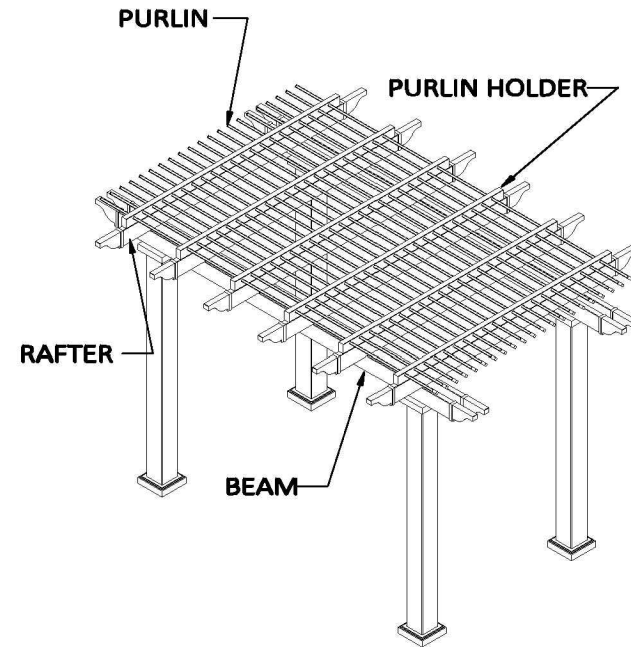
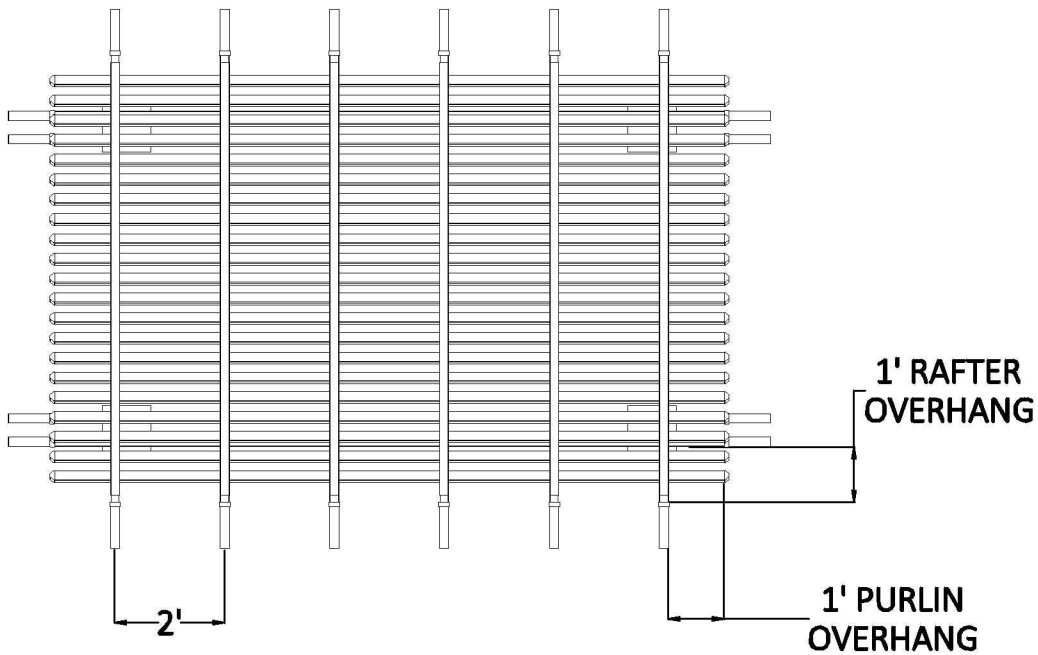
# SIDE ELEVATION



## Center of Post to Structure Measurement

|                  |         |
|------------------|---------|
| 5" Square Post   | 67"     |
| 7" Square Column | 61 1/2" |
| 7" Round Column  | 61 1/2" |
| 10" Round Column | 59 3/4" |

# PLAN VIEW



## STRUCTURAL COMPONENTS

| DESCRIPTION                       | QTY. |
|-----------------------------------|------|
| 7" COLUMN ASSEMBLY W POST MOUNT   | 4    |
| 2 X 6 BEAM WITH ALUMINUM INSERT   | 4    |
| 2 X 6 RAFTER WITH ALUMINUM INSERT | 6    |
| 2 X 6 PERGOLA CAP                 | 20   |
| 2 X 3 1/2 PURLIN HOLDER           | 6    |
| 2 X 3 1/2 FLAT CAP                | 12   |
| 7/8 X 3 PURLIN (STD SPACING)      | 21   |
| 7/8 X 3 PURLIN CAP                | 42   |

8' x 12' FREESTANDING PERGOLA

Heartlandpergolas.com

563-345-6745

**Heartland**  
Pergolas