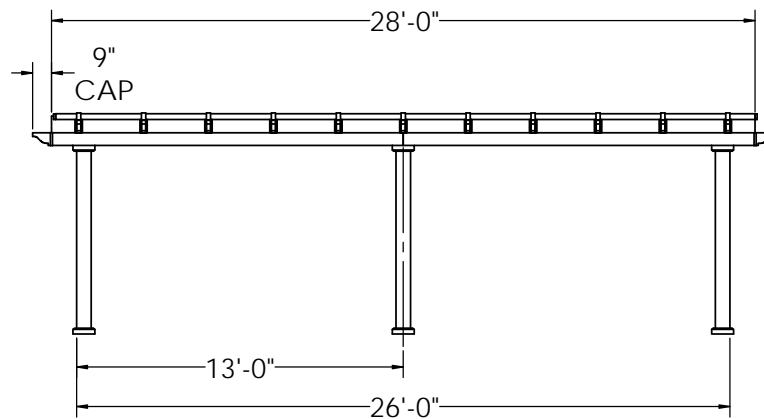


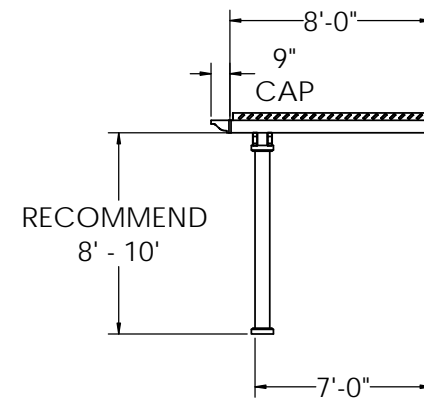
## FRONT ELEVATION



### Post on Center Measurement

5" Square Post	307"
7" Square Column	301 1/2"
7" Round Column	301 1/2"
10" Round Column	299 3/4"

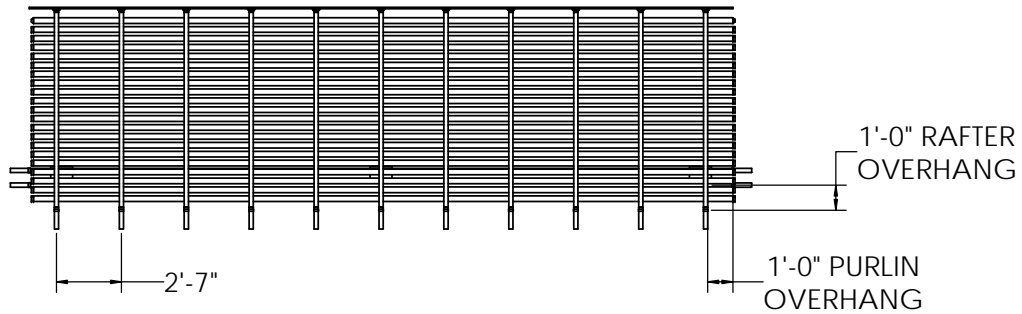
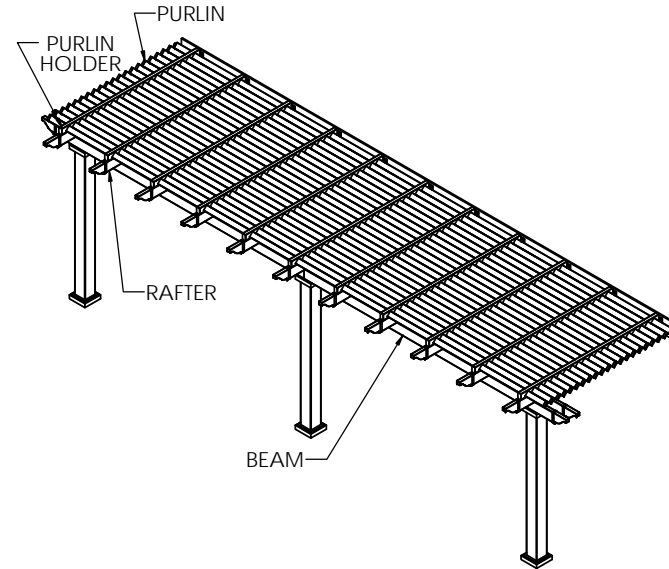
## SIDE ELEVATION



### Center of Post to Structure Measurement

5" Square Post	81 1/2"
7" Square Column	78 3/4"
7" Round Column	78 3/4"
10" Round Column	77 7/8"

# PLAN VIEW



## STRUCTURAL COMPONENTS

DESCRIPTION	QTY.
7" COLUMN ASSY WITH POST MOUNT	3
2x6 BEAM WITH ALUMINUM INSERT	4
2x6 RAFTER WITH ALUMINUM INSERT	11
2 x 6 PERGOLA CAP	15
RAFTER HANGER WITH COVER	11
2 x 3 1/2 PURLIN HOLDER	11
2 x 3 1/2 FLAT CAP	22
7/8 x 3 PURLIN (STD SPACING)	21
7/8 x 3 PURLIN CAP (STD SPACING)	42
PVC LEDGER PLATE	1

8' x 28' ATTACHED PERGOLA

Heartlandpergolas.com

563-345-6745

