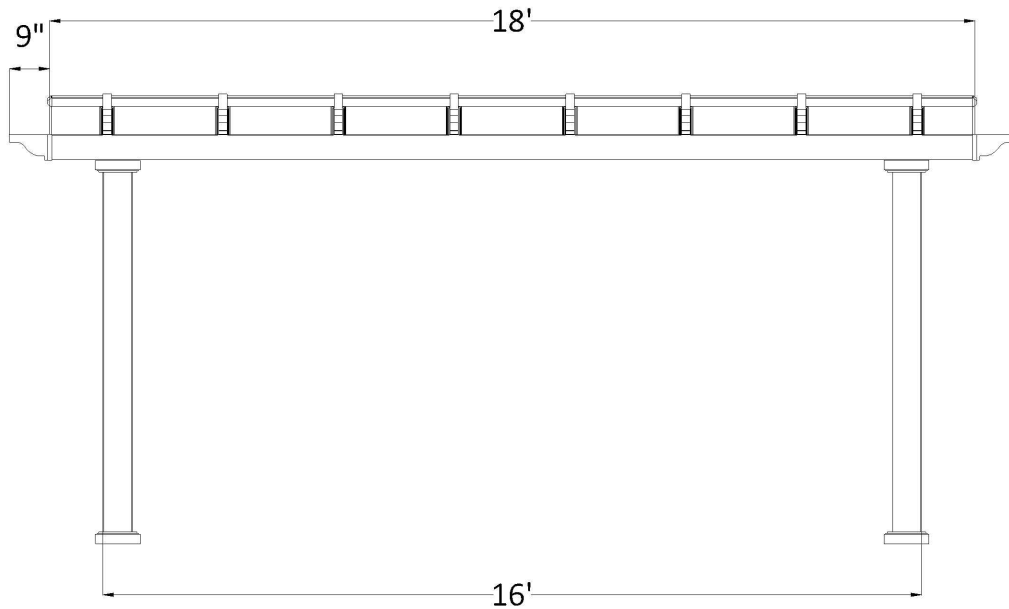


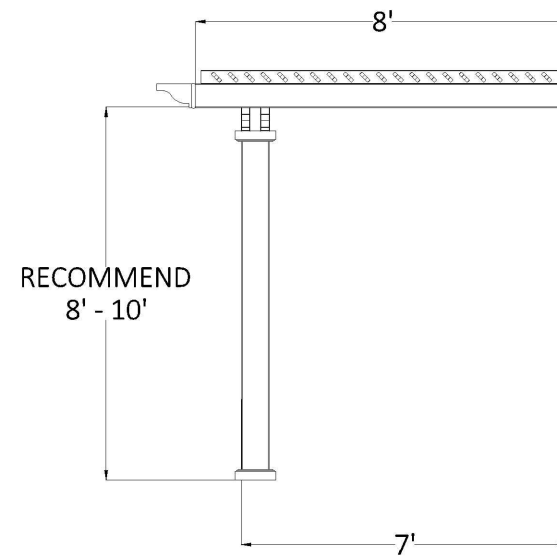
FRONT ELEVATION



Post On Center Measurement

| | |
|------------------|----------|
| 5" Square Post | 187" |
| 7" Square Column | 181 1/2" |
| 7" Round Column | 181 1/2" |
| 10" Round Column | 179 3/4" |

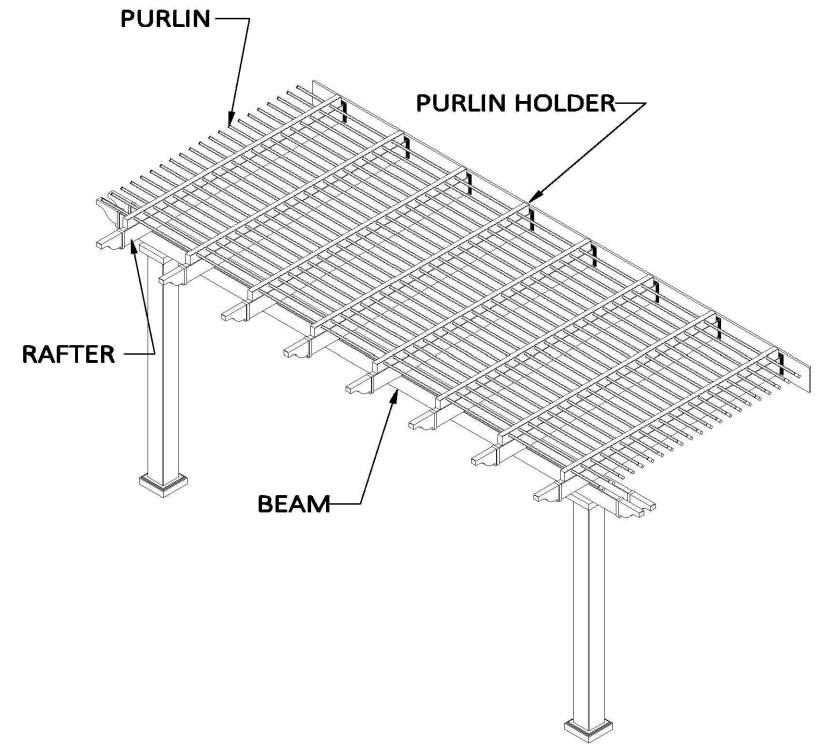
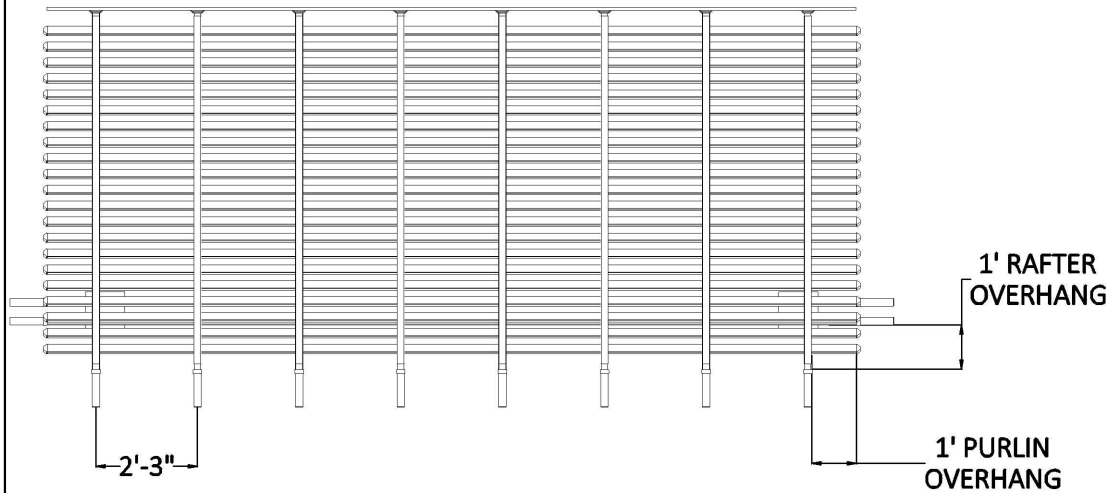
SIDE ELEVATION



Center of Post to Structure Measurement

| | |
|------------------|---------|
| 5" Square Post | 81 1/2" |
| 7" Square Column | 78 3/4" |
| 7" Round Column | 78 3/4" |
| 10" Round Column | 77 7/8" |

PLAN VIEW



STRUCTURAL COMPONENTS

| DESCRIPTION | QTY. |
|-----------------------------------|------|
| 7" COLUMN ASSEMBLY W POST MOUNT | 2 |
| 2 X 6 BEAM WITH ALUMINUM INSERT | 2 |
| 2 X 6 RAFTER WITH ALUMINUM INSERT | 8 |
| 2 X 6 PERGOLA CAP | 12 |
| 2 X 3 1/2 PURLIN HOLDER | 8 |
| 2 X 3 1/2 FLAT CAP | 16 |
| 7/8 X 3 PURLIN (STD SPACING) | 21 |
| 7/8 X 3 PURLIN CAP | 42 |
| PVC LEDGER PLATE | 1 |

8' x 18' ATTACHED PERGOLA

Heartlandpergolas.com

563-345-6745

Heartland
Pergolas